

© 罗浮阀门集团(LUOFU VALVE GROUP)版权所有 采用生态纸印刷

\*特别声明: 本资料数据由罗浮阀门集团有限公司负责解释, 如有参数变更, 恕不另行通知。不详之处请向我公司垂询!

[Http://www.chinaluofu.com](http://www.chinaluofu.com)



**罗浮阀门集团有限公司**  
**LUOFU VALVE GROUP CO.,LTD.**

地址: 浙江永嘉瓯北东瓯工业园区 325105  
 销售部: 0577-67980000 67980001 67980008  
 67354888 67350888 67353358  
 传真: 0577-67980029 67980004  
[Http://www.chinaluofu.com](http://www.chinaluofu.com)  
 E-mail: luofu@vip.163.com  
 网络实名: 罗浮集团  
 免费电话: 8008577632

Add: Dong'ou Ind. Zone, Oubei Town, Yongjia County,  
 Zhejiang, 325105.  
 Tel: 0577-67980000 67980001 67980008  
 67354888 67350888 67353358  
 Fax: 0577-67980029 67980004  
[Http://www.chinaluofu.com](http://www.chinaluofu.com)  
 E-mail: luofu@vip.163.com  
 Free Tel: 8008577632

诚招代理商 Recruitment Agents:

创造价值  
 Create brand value



**罗浮阀门集团**  
**LUOFU VALVE GROUP**

呼吸阀/阻火器/储罐附件  
 Pressure/vacuum Relief Valve  
 Flame Arrestor  
 Storage Tank Accessories

[Http://www.chinaluofu.com](http://www.chinaluofu.com)



**罗浮阀门集团有限公司**  
**LUOFU VALVE GROUP CO.,LTD.**

## 企业简介

### Brief Introduction

罗浮阀门集团有限公司位于中国泵阀之乡—美丽的浙江永嘉瓯江北岸，紧邻国家级风景区雁荡山和楠溪江，地理位置优越，陆、海、空交通便利。公司由原浙江罗浮锅炉附件厂为母公司，浙江中工阀门有限公司、浙江飞环阀门有限公司、浙江亚星阀门有限公司、浙江西高阀门有限公司为子公司组成，总注册资本一亿元人民币，总建筑面积6.5万m<sup>2</sup>，固定资产4200万元，各项机械加工及检测设备齐全，并拥有全系列规格呼吸阀试验装置。

公司从事阀门产品和储罐附件的设计与生产已有近三十年的历史，积累了丰富的设计和生产经验。企业在阀门行业内产生了积极的影响，树立了良好的口碑。我公司已成为中石化物资装备公司资源市场成员单位、中石油一级物资供应商（能源一号网络成员单位）、中海油总公司网络供应商、神华集团一级网络成员单位、中国化工集团合格供应商、惠生工程（中国）有限公司合格供应商；同时我公司与中石化洛阳石化工程公司、中石油华东勘察设计院、中国天辰工程有限公司、中国成达工程公司、华陆工程科技有限责任公司、东华工程科技股份有限公司、大庆石化设计院、胜利油田设计院、抚顺石化设计院等有关单位做了技术交流与沟通，建立了良好的合作关系。

公司产品的规格型号齐全，呼吸阀、阻火器口径范围：2"~24"，紧急泄放阀口径范围16"~24"；压力范围：-82~103.4KPa。材质有WCB、LCB、CF8(304)、CF3(304L)、CF8M(316)、CF3M(316L)、铝合金等。产品畅销全国各地，在国内形成了强大的销售网并树立了较高的知名度和质量信誉，部分产品远销北美及中东国家。

公司全面实行标准化、规范化、程序化管理，具有健全、完善和运行有效的质量管理体系，公司从1997年获得ISO9001质量管理体系认证开始，先后获取了“采用国际标准合格证”、“特种设备制造许可证”、“美国石油学会API认证”以及“CE认证”。公司为了确保产品质量满足顾客要求，不断深化内部管理，努力提升全员质量意识；坚决贯彻执行“立足质量、强化管理、持续改进、顾客至上”的企业质量方针。公司将尽心尽力同各界同仁合作，坚持“过程精品，以人为本”的理念，使公司在激烈的市场竞争中立于不败之地，以良好的信誉及服务回报广大用户对我公司的厚爱。

Luofu Valve Group Co., Ltd., situated in a beautiful north bank of Oujiang River in Yongjia, Zhejiang, a Chinese Capital of Pumps and Valves, adjoins to national scenic spots involving Yandangshan Mountains and Nanxijiang Rivers, and commands a favorable geographical location to offer nice transportation facilities by land, by sea or by air, it consists of a parent company Zhejiang Luofu Boiler Accessories Plant (former), and many subsidiaries including Zhejiang Gaogong Valve Co., Ltd, Zhejiang Feihuan Valve Co., Ltd. Zhejiang Yaxing Valve Co., Ltd. and Zhejiang Xigao Valve Co., Ltd., its total registered capital reaches RMB100 million Yuan with an overall construction area of 65 thousand sq.m, a fixed assets of RMB42 million Yuan, arranged with all kinds of machining equipments and checkout test sets, as well as all specifications of breather valve test devices.

Over the past three decades the company has gained plenty of experience in design and production of valves and storage tank accessories, and has its positive influence and gets rewards in the valve industry. It is a member unit in material source market of SINOPEC Supplies & Equipment Company, a member of the first grade supplier (#1 Energy Network Member Unit) of PetroChina, a member of the supplier network of CNOOC, a member unit of the first tier network of Shenhua Group, a qualified supplier of ChemChina and WISON Engineering (China) Ltd.; but also establishes a good relations with Sinopec Luoyang Petrochemical Engineering Corporation, CNPC EastChina Design Institute, China Tianchen Engineering Corporation, China Chengda Engineering Corporation, Hualu Engineering & Technology Co., Ltd., East China Engineering Science & Technology Co., Ltd., Daqing Petrochemical Design Institute, Shengli Oilfield Design Institute, Fushun Petrochemical Design Institute and other units concerned, for technical exchange and communication.

The company has a complete range of specifications and types of products, the diameter range of breather valve and flame arrestor is designed to 2"~24" while emergency discharge valve 16"~24"; the pressure range is arranged with -82~103.4KPa all made of WCB, LCB, CF8(304), CF3(304L), CF8M(316), CF3M(316L), alluminum alloy and etc.. Our powerful sales network spreads not only over China but also some reaches North Americas and Middle East, serving its purpose of building high brand awareness and quality reputation.

The company conducts all round managements of standardization, normalization and routinization based on a sound, perfect and effective quality management system, it obtained successively the certifications of International Standards Qualification, Special Equipment Manufacturing License, API and CE since getting certified ISO9001 quality system in 1997. For the purpose of ensuring the quality requirements of customers, it improves continuously its inner management, tries to enhance quality sense of all staff members; and is immovable in implementing its quality policy: Based on Quality, Strengthening its Management, Keeping Improving, Customer-driven. It exerts its efforts to cooperate with all public colleagues by persisting in a concept: Processing Excellence and Human Centered, establishing itself in an invulnerable position in the sharp market competition, and rebouding vast customers for their great kindness with excellent reputation and service.





每一份**荣誉**。○。○。○  
都代表我们罗浮集团的一份**灿烂**



### 企业荣誉 Enterprise Honor



### 生产体系 Production system



精良设备，值得信赖  
Do your best, achievement high-quality goods





## 品质保证 Quality Assurance



· 渗透检测  
Penetrant testing

· 超声波检测  
Ultrasonic testing

· X射线分析  
X-ray analysis

· 光谱检测  
Spectrum testing

### 全力以赴，成就精品

#### Do your best, achievement high-quality goods

细致是监测产品质量的保证，不让质量问题损害我们的品牌是我们的宗旨。有序的生产程序，有效的工作效率是取胜于一切的必要基础。为确保产品质量，公司配备了大量先进的检测仪器，并严格按照ISO9001，ISO14001质量环境管理体系，对每个过程进行严格的质量控制，确保产品质量的高标准、精细化、零缺陷。

Meticulousness, as a guarantee and tenet to control the quality of products, is not allowed to destroy our brands arising from any quality issue, while an orderly production program and sound working efficiency is a necessary basis of conquering anything. To ensure the quality of products with high standards, fineness and zeor errors, vast amount of advanced test devices are provided to carry out strictly ISO9001 and ISO14001 quality environmental management system, and make quality control in each process.



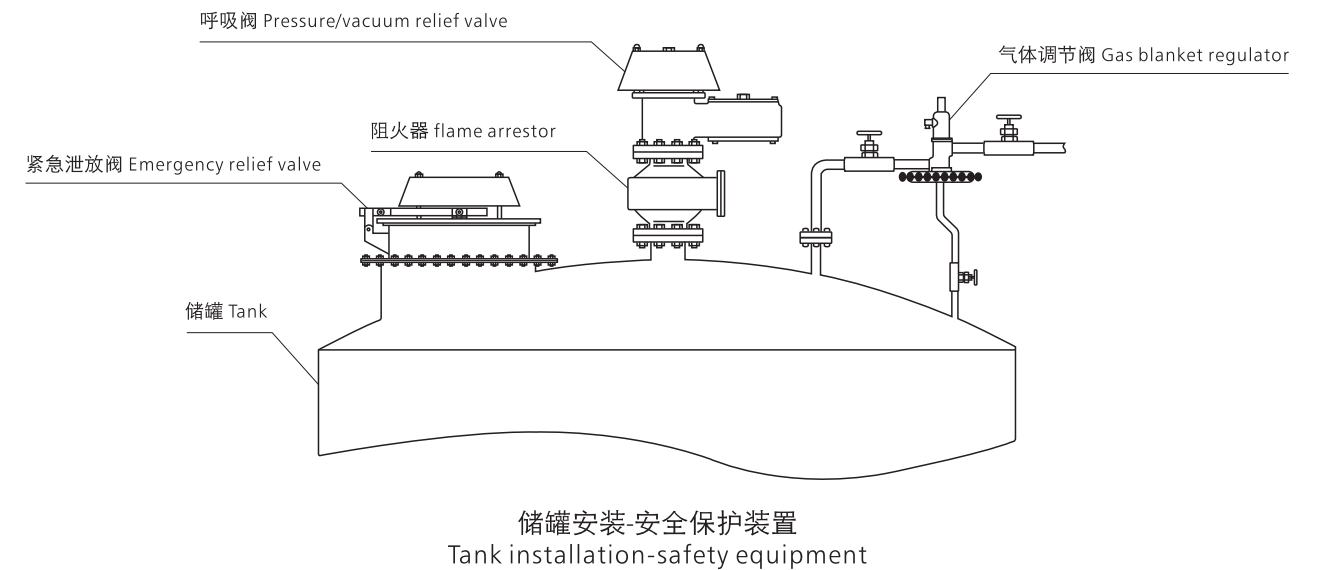
## Product Contents 产品目录

LF订货参数 LF Ordering Information	01
LF呼吸阀简介 LF Pressure/vacuum Relief Valve Introduction	02
LF呼吸阀通气量的试验装置 LF Pressure/vacuum Relief Valve Ventilation Experiment Device	03
LF呼吸阀选型计算 LF Pressure/vacuum Relief Valve Selection Calculation	04
LF8110系列呼吸阀 LF Series 8110 Pressure/vacuum Relief Valve	05~06
LF8120系列呼吸阀 LF Series 8120 Pressure/vacuum Relief Valve	07~08
LF8130系列呼吸阀 LF Series 8130 Pressure Relief Valve	09~10
LF8136系列呼吸阀 LF Series 8136 Pressure Relief Valve	11~12
LF8140系列吸阀 LF Series 8140 Vacuum Relief Valve	13~14
LF8145系列吸阀 LF Series 8145 Vacuum Relief Valve	15~16
LF夹套呼吸阀 LF Steam Jacket Pressure/vacuum Relief Valve	17
LF8160系列紧急泄放阀 LF Series 8160 Emergency Pressure/vacuum Relief Valve	18
LF8170系列紧急泄放阀 LF Series 8170 Emergency Pressur/vacuum Relief Valve	19
LF8180系列紧急泄放阀 LF Series 8180 Emergency Pressure Relief Valve	20
LF9800系列先导式呼吸阀 LF Series 9800 Pilot Operated Pressure/vacuum Relief Valve	21~22
LFZH II 阻爆燃型管道阻火器 LFZH II Explosion-resistant Pipeline Arrestor	23~24

如需订购本公司产品，请详细提供下表所列数据。  
Please provide the detailed information listed below if you want to order our product.

型号 Type			
储罐参数 Tank Data	*最大工作压差 Max Operated President.		
	温度 Temperature		
呼出操作条件 Outlet Operating Conditions	*介质 / 状态 / 摩尔质量 Fluid / State / Mol.	/	/
	密度 / 绝热指数 Density / Ratio of Specific Heats		/
	*泄放温度 Relieving Temperature		
	*最大流量 Max Capacity		
	*设定压力 Set Pressure		
吸入操作条件 Inlet Operating Conditions	*介质 / 状态 / 摩尔质量 Fluid / State / Mol.	/	/
	密度 / 绝热指数 Density / Ratio of Specific Heats		/
	*泄放温度 Relieving Temperature		
	*最大流量 Max Capacity		
	*设定压力 Set Pressure		
结构要求 Structure Required	法兰标准 / 压力等级 / 法兰面型式 Connection / Rating / Facing		
	阀体材质 Body Material		
	密封材质 Seal Material		
其它 Options	阻火器 Flame Arrester	是 Yes	否 No
	订货数量 Purchase Quantity		

注：如要求我公司计算呼吸阀口径，请将标注有\*的项目填写完整。  
Note: If you want our company to help you with the calculation of pressure / vacuum relief valve, please fill the item with "\*" in the above sheet completely.



### LF呼吸阀简介 LF type respiration valve Introduction

上图是典型的储罐安全保护装置安装图。大多数储罐上均安装有呼吸阀、紧急泄放阀(或紧急泄放人孔)和气体调节阀等装置。  
呼吸阀能够在泵注入/抽出介质或热交换的条件下，提供压力或真空泄放，从而防止储罐破裂或被抽瘪。紧急泄放阀(或紧急泄放人孔)具有两个功能：一是快速泄放由于罐周围有火情或超过设计流量的介质注入储罐造成的超压；二是在常规呼吸阀未正常开启的且压力恒定的情况下吸入空气进行泄压(针对带吸阀的紧急泄放阀而言)。气体调节阀是一种精确调节装置，它通过控制高压气体的流量使储罐保持较低的气体压力，并当储罐中介质被抽出或罐内介质温度降低时保持罐内正压。阻火器的功能是阻止火焰在气体管道系统内的传播以保护储存有易燃性介质的低压储罐。它可以通过阻止外部热量和火焰的传播来保护罐内低闪点的介质，从而提高罐的防火性能和安全性能。通常情况下，将出口通大气的呼吸阀安装于阻火器顶部。

Typical safety equipment installation on a tank is illustrated in above figure. Most tanks will have provision for a pressure/vacuum relief valve, an emergency relief valve (or emergency relief manhole) and a gas blanket regulator.

The pressure/vacuum relief valve is designed to provide pressure/vacuum relief under normal pump in/out and thermal breathing conditions. So it protects the tank against rupturing or imploding. The emergency relief valve (emergency relief manhole) has two functions: one is to discharge rapidly the overpressure developed during the fire around the storage tank or the excessive fluid intake more than the capacity of pump designed, the other is to intake the air under the constant pressure for the irregular operation of normal vacuum relief valve during the unloading (aim at emergency relief valve with vacuum part). The gas blanketing regulator is a precision regulator that is capable of maintaining a very low gas pressure in the tank by controlling the flow of a high pressure blanketing gas. It maintains a positive tank pressure when fluid is pumped out or as fluid temperature decreases. A flame arrester is designed to inhibit flame propagation in gas piping systems and to protect low pressure tanks containing flammable liquids. They protect low flash point liquids from externally caused sources of heat and ignition, providing increased fire protection and safety. A majority of the time, a "vent to atmosphere" pressure/vacuum valve is installed on top of the flame arrester.

### 装置组成 Device component

试验装置由三部分组成：1、气源系统；2、试验工艺系统；3、测量系统

1. 气源系统  
主要由离心风机、管路、阀门、电控元件、储气罐等。
  2. 试验工艺系统  
试验工艺系统由呼吸阀性能试验系统和测试工位组成，容器压力 < 0.1Mpa，容积10m<sup>3</sup> 可进行DN600mm以下各种呼吸阀的性能试验。
  3. 测量系统  
测量系统由流速测量仪、微压计、V型液体压力计、流量计等仪器、仪表组成。适用于检测产品正压、负压、密封性、通气量、流速等；  
The test device comprises three components: 1. Pneumatic system; 2. Test technology system; 3. Measurement system
1. Pneumatic system  
It is composed chiefly of centrifugal fan, pipeline, valve, electrical elements, storage tank and so on.
  2. Test technology system  
It consists of performance test system and test station of breather valve, container pressure is less than 0.1Mpa, while volume 10 cubic meters, can carry out performance tests of various breather valves below DN600mm.
  3. Measurement system  
It is made up of velocity measuring instrument, micromanometer, V-shaped manometer, flowmeter and other instruments and meters. Applicable for measuring positive pressure, negative pressure, sealing property, ventilation and velocity of products;

### 装置特点 Device characteristics

- 1、试验装置设计先进，适用呼吸阀品种规格多、压力范围大；
  - 2、洁净的空气试验介质；
  - 3、安装方便，互换性强、安全可靠；
  - 4、测量精度高，压力测量仪表误差≤0.05%；
1. Test devices with advanced design are applicable for wide range of specification and pressures of breather valves;
  2. Clean air for test medium;
  3. Easy installation, powerful interchangeability, safety and reliability;
  4. High measuring precision, error of pressure measuring instrument is below 0.05%;

### 参数范围 Parameter scope

- 1、呼吸阀压力范围：-82~103.4KPa。
  - 2、呼吸阀口径：2"~24"/DN50-600mm。
  - 3、检测参数：正负呼气压力、泄漏量、通气量、机械特性等。
1. Pressure range of breather valve is run within -82~103.4kpa.
  2. Diameter range of breather valve: 2"~24"/DN50-600mm.
  3. Measuring parameters: positive and negative breathing pressure, leakage, ventilation and mechanical properties etc..



### 计算公式 (依据API 2000) Calculation formula (basis API 2000)

$$A = \frac{Q}{12503 \text{ KP1C} \sqrt{\frac{k}{\text{MTZ}(k-1)} \left[ \left( \frac{P_2}{P_1} \right)^{\frac{2}{k}} - \left( \frac{P_2}{P_1} \right)^{\frac{k+1}{k}} \right]}}$$

### 符 号 Operator,

A — 计算流通面积 cm <sup>2</sup>	K — 绝热指数
Q — 所需泄放量或吸入量 Nm <sup>3</sup> /h	T — 泄放温度 (°k)
K — 额定排量系数	M — 分子量
P <sub>1</sub> — 入口端压力 bar(A)	Z — 压缩系数 (未知时取Z=1)
P <sub>2</sub> — 出口端压力 bar(A)	C — 超压修正系数
A-Calculating flowage area cm <sup>2</sup>	K-Adiabatic exponent
Q-Discharge or suction capacity as required Nm <sup>3</sup> /h	T-Discharge temperature (°k)
K-Rated discharge coefficient	M -Molecular weight
P <sub>1</sub> -Inlet pressure bar(A)	Z -Compressibility coefficient (Specify value Z= 1 if information is incomplete)
P <sub>2</sub> -Outlet pressure bar(A)	C-Overpressure correction factor

### 呼吸阀执行标准 Respiration valve standards

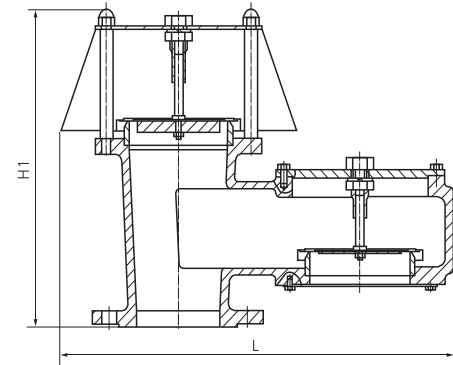
ASME/ANSI B16.5a-1992  
GB/T 9113-2000  
HG20592-2009  
SH 3406-1996  
GB/T 9438-1988  
GB/T 4237-2007  
GB 5908-2005  
GB 50160-2008  
SY/T 0511-1996  
API 2000

ASME/ANSI B16.5a-1992  
GB/T 9113-2000  
HG20592-2009  
SH 3406-1996  
GB/T 9438-1988  
GB/T 4237-2007  
GB 5908-2005  
GB 50160-2008  
SY/T 0511-1996  
API 2000

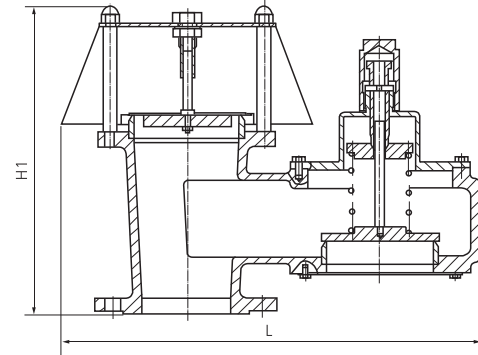
管线法兰和法兰管件  
整体钢制管法兰  
钢制管法兰、垫片、紧固件  
石油化工钢制管法兰  
铝合金铸件技术条件  
不锈钢热轧钢板  
《石油储气罐阻火器》  
《石油化工企业设计防火规范》  
《石油储罐呼吸阀》行业标准  
《通大气的常压和低压贮罐规范》

Executive standards of Breather Valve  
Pipelining flanges and flange pipe fittings  
Steel pipe flange, gasket, fasteners  
Petrochemical Steel Pipe Flange  
Technical specifications of aluminum alloy casting  
Stainless steel hot rolled steel plate  
《Arrestor for petroleum storage tank》  
《Fireproof Rule for Design of Petrochemical Enterprises》  
Industrial Standards 《Breather Valve of Petroleum Storage Tank》  
《Specifications for Constant and Low Pressure Breathing Storage Tank》

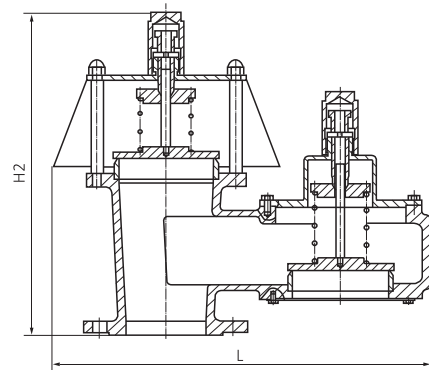




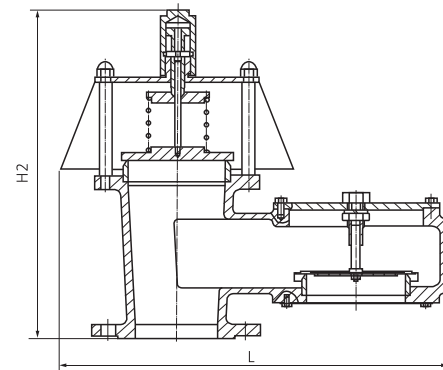
Type8110  
重力加载  
Weight Loaded



Type8112  
真空弹簧加载  
Vacuum Spring Loaded



Type8113  
压力/真空弹簧加载  
Pressure & Vacuum Spring Loaded



Type8115  
压力弹簧加载  
Pressure Spring Loaded

### 结构特点 Structure Features

- 1、口径从2"到12";  
Size through 2" to 12";
- 2、可选择铝合金、碳钢、不锈钢和其他材质;  
Available in aluminum, carbon steel, stainless steel and other materials;
- 3、模块化结构;  
Modular construction;
- 4、FEP膜片能有效防止阀座与阀盘粘连; 也可依据工况要求选择其他软密封或硬密封结构;  
FEP diaphragms can effectively prevent seat and pallet from sticking; Select the seal structure according to the operation conditions;
- 5、进出口法兰按ANSI B16.5 150Lb RF (特殊情况可按用户要求)。  
The flanges of inlet and outlet are ANSI B16.5 150Lb RF (It can be required by user).

### 各型号设定压力范围 Setting Pressure Range of all Types

	TYPE8110	TYPE8112	TYPE8113	TYPE8115
压力(KPa) Pressure	0.2~6.9	0.2~6.9	6.9~103.4	6.9~103.4
真空(KPa) Vacuum	-0.2~-4.3	-4.3~-82	-4.3~-82	-0.2~-4.3

### 结构尺寸 Main Dimensions

公称通径(DN) Nominal Diameter		L 长 Length mm	W* 宽 Width mm	H1 高 Height mm	H2 高 Height mm
inch	mm				
2"	50	300	171	261	333
3"	80	419	235	317	413
4"	100	481	261	360	509
6"	150	556	316	430	616
8"	200	682	382	480	757
10"	250	830	473	573	876
12"	300	1026	523	685	1010

\*W未在图中注入 \*W is not marked in figures

### 订货指南 Order Guide

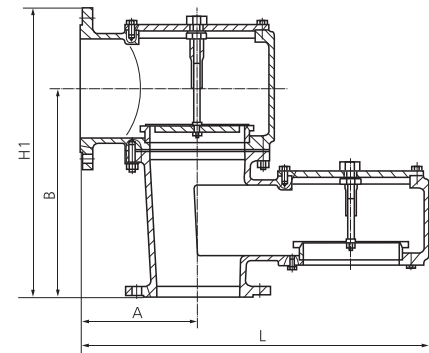
型号 Type	规格 Size	材质 Material	选项 Options
LF			
		阀盘材质 Pallet Material 阀座材质 Seat Material 阀体材质 Body Material	O-无夹套 No Jacket J-有夹套 Steam Jacket 膜片材质 (阀座) Diaphragm Material (Seat) F-全氟乙丙烯 FEP V-氟橡胶 Viton B-丁腈橡胶 Buna-N M-金属对金属 Metal to Metal S-特殊材料 Special
8110	2"	1-碳钢 Carbon Steel	
8112		2-铝合金 Aluminum	
8113	12"	3-不锈钢304 304SS	
8115		4-不锈钢316 316SS 6-特殊材料 Special	

### 例 Example:

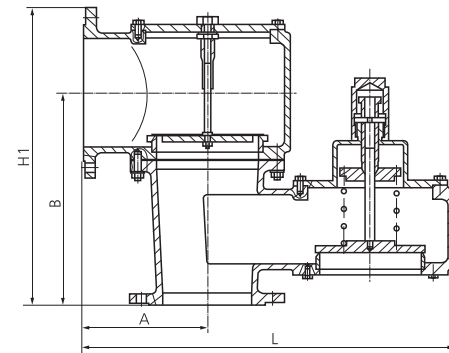
LF 8 1 1 0 - 0 6 - 1 3 3 - F O

记为: LF8110-06-133-FO

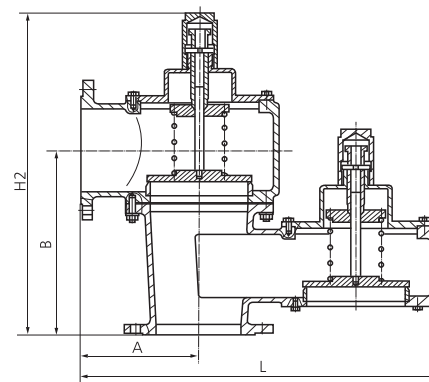
表示6"-8110型呼吸阀, 阀体材质为碳钢, 阀盘和阀座材质均为304SS, 膜片材质为FEP, 无夹套。  
Indicates a 6" type 8110 with carbon steel body, 304SS pallet and seat, FEP seat diaphragm and no jacket.



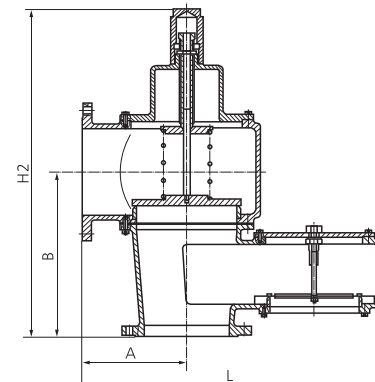
Type8120  
重力加载  
Weight loaded



Type8122  
真空弹簧加载  
Vacuum spring loaded



Type8123  
压力/真空弹簧加载  
Pressure & vacuum spring loaded



Type8125  
压力弹簧加载  
Pressure spring loaded

### 结构特点 Structure Features

- 1、口径从2"到12";  
Size through 2" to 12";
- 2、可选择铝合金、碳钢、不锈钢和其他材质;  
Available in aluminum, carbon steel, stainless steel and other materials;
- 3、管道排放;  
Piped away;
- 4、模块化结构;  
Modular construction;
- 5、FEP膜片耐感有效防止阀座与阀盘粘连;也可依据工况要求选择其他软密封或硬密封结构;  
FEP diaphragms can effectively prevent seat and pallet from sticking; Select the seal structure according to the operation conditions;
- 6、进出口法兰按ANSI B16.5 150Lb RF(特殊情况可按用户要求).  
The flanges of inlet and outlet are ANSI B16.5 150Lb RF (It can be required by user).

### 各型号设定压力范围 Setting Pressure Range of all Types

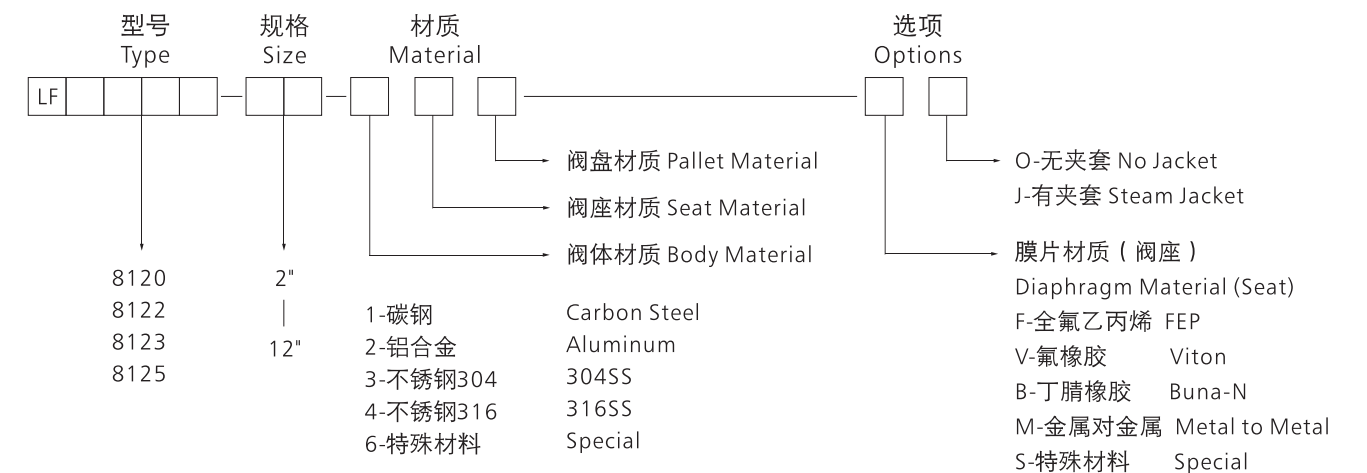
	TYPE8120	TYPE8122	TYPE8123	TYPE8125
压力(KPa) Pressure	0.2~6.9	0.2~6.9	6.9~103.4	6.9~103.4
真空(KPa) Vacuum	-0.2~-4.3	-4.3-82	-4.3~-82	-0.2~-4.3

### 结构尺寸 Main Dimensions

公称口径(DN) Nominal Diameter 进口×出口 Inlet×Outlet		L 长 Length mm	W* 宽 Width mm	H1 高 Height mm	H2 高 Height mm	A mm	B mm
inch	mm						
2"×3"	50×80	332	190	302	396	130	207
3"×4"	80×100	438	220	365	483	152	255
4"×6"	100×150	507	279	454	625	173	314
6"×8"	150×200	637	340	566	724	214	396
8"×10"	200×250	743	406	745	1044	230	542
10"×12"	250×300	889	483	776	1101	310	534
12"×14"	300×350	1085	533	891	1218	330	624

\*W未在图中注出 \*W is not marked in figures

### 订货指南 Order Guide

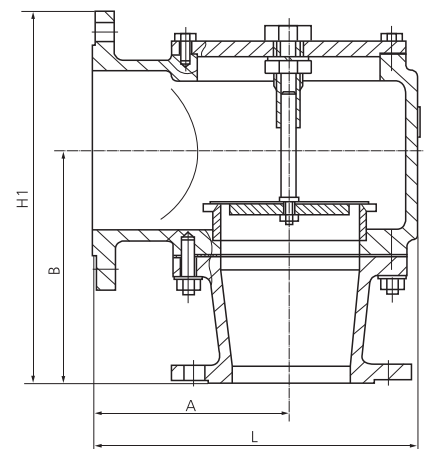


### 例 Example:

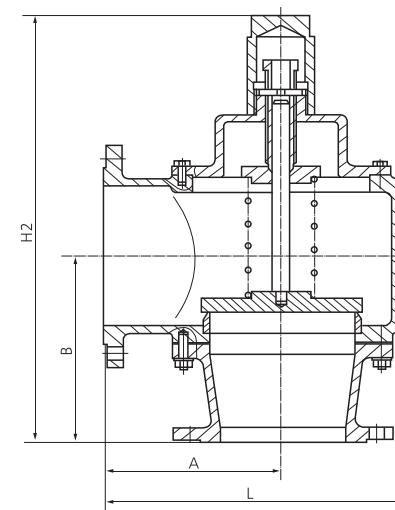
LF 8 1 2 0 - 0 6 - 1 3 3 - F O

记为: LF8120-06-133-FO

表示6"-8120型呼吸阀, 阀体材质为碳钢, 阀盘和阀座材质均为304SS, 膜片材质为FEP, 无夹套。  
Indicates a 6" type 8130 with carbon steel body, 304SS pallet and seat, FEP seat diaphragm and no jacket.



Type8130  
重力加载  
Weight Loaded



Type8135  
弹簧加载  
Spring Loaded

### 结构特点 Structure Features

- 1、口径2"到12";  
Size through 2"to 12";
- 2、可选择铝合金、碳钢、不锈钢和其他材质;  
Available in aluminum,carbon steel,stainless steel and other materials;
- 3、管道排放;  
Piped away;
- 4、模块化结构;  
Modular construction;
- 5、FEP膜片能有效防止阀座与阀盘粘连;也可依据工况要求选择其他软密封或硬密封结构;  
FEP diaphragms can effecticely prevent seat and pallet from sticking;Select the seal structure according to the operation conditions;
- 6、进出口法兰按 ANSI B16.5 150Lb Rf (特殊情况可按用户要求)。  
The flanges of inlet and outlet are ANSI B16.5 150Lb RF(It can be required by user).

### 各型号设定压力范围 Setting Pressure Range of all Types

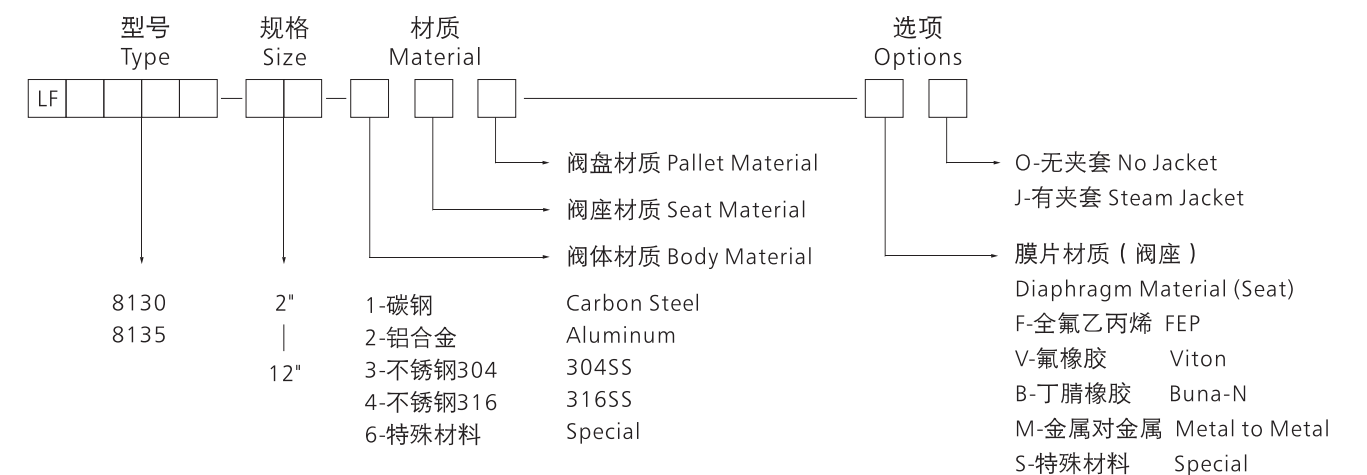
	TYPE8130	TYPE8135
压力(KPa) Pressure	0.2~6.9	6.9~103.4

### 结构尺寸 Main Dimensions

公称通径(DN) Nominal Diameter 进口×出口 Inlet×Outlet		L 长 Length mm	W* 宽 Width mm	H1 高 Height mm	H2 高 Height mm	A mm	B mm
inch	mm						
2"×3"	50×80	200	190	266	360	130	136
3"×4"	80×100	245	220	279	422	152	165
4"×6"	100×150	286	279	372	530	173	220
6"×8"	150×200	357	340	427	614	214	267
8"×10"	200×250	390	406	523	707	230	281
10"×12"	250×300	522	483	598	825	310	312
12"×14"	300×350	585	533	652	875	330	345

\*W未在图中注出 \*W is not marked in figures

### 订货指南 Order Guide

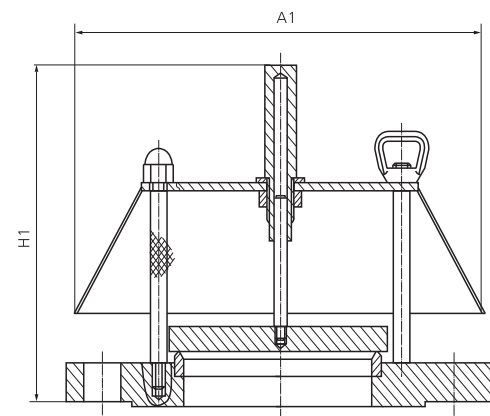


### 例 Example:

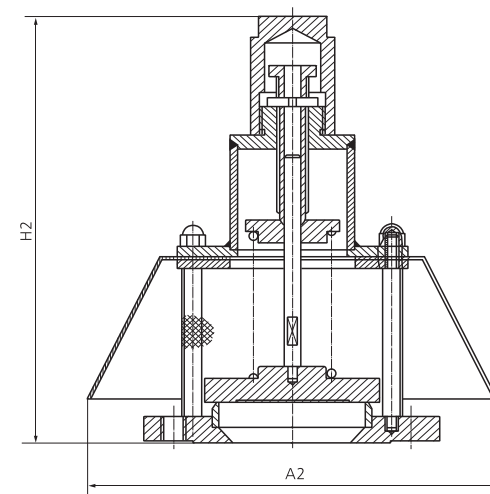
LF 8 1 3 0 - 0 6 - 1 3 3 - F O

记为: LF8130-06-133-FO

表示6"-8130型呼阀, 阀体材质为碳钢, 阀盘和阀座材质均为304SS, 膜片材质为FEP, 无夹套。  
Indicates a 6" type 8130 with carbon steel body, 304SS pallet and seat, FEP seat diaphragm and no jacket.



Type8136  
重力加载  
Weight Loaded



Type8138  
弹簧加载  
Spring Loaded

### 结构特点 Structure Features

- 1、口径从2"到12";  
Size through 2"to 12";
- 2、可选择铝合金、碳钢、不锈钢和其它材质;  
Available in aluminum, carbon steel, stainless steel and other materials;
- 3、模块化结构;  
Modular construction;
- 4、FEP膜片能有效防止阀座与阀盘粘连; 也可依据工况要求选择其它软密封或硬密封结构;  
FEP diaphragms can effectively prevent seat and pallet from sticking; Select the seal structure according to the operation conditions;
- 5、进出口法兰按 ANSI B16.5 150LB RF (特殊情况可按用户要求)。  
The flanges of inlet and outlet are ANSI B16.5 150LB RF(It can be required by user).

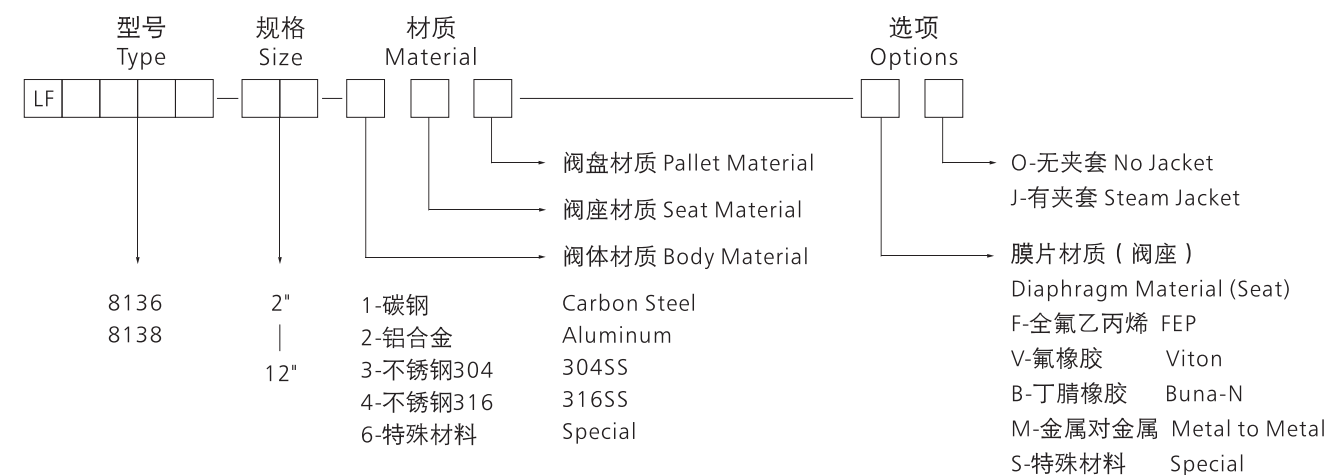
### 各型号设定压力范围 Setting Pressure Range of all Types

	TYPE8136	TYPE8138
压力(KPa) Pressure	0.2~6.9	6.9~103.4

### 结构尺寸 Main Dimensions

公称通径 (DN) Nominal Diameter		A1 直径 Diameter mm	H1 高 Height mm	A2 直径 Diameter mm	H2 高 Height mm
inch	mm				
2"	50	200	150	171	177
3"	80	247	168	235	223
4"	100	270	174	261	285
6"	150	342	185	316	336
8"	200	395	221	382	456
10"	250	468	240	473	531
12"	300	545	253	523	575

### 订货指南 Order Guide

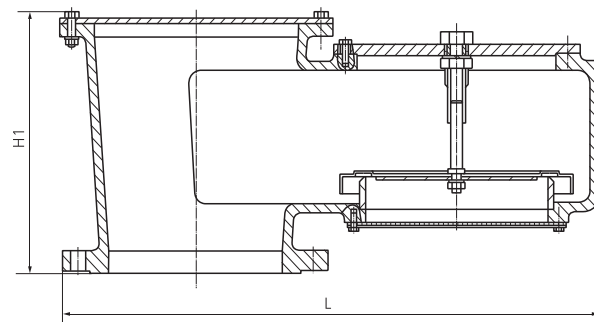


### 例 Example:

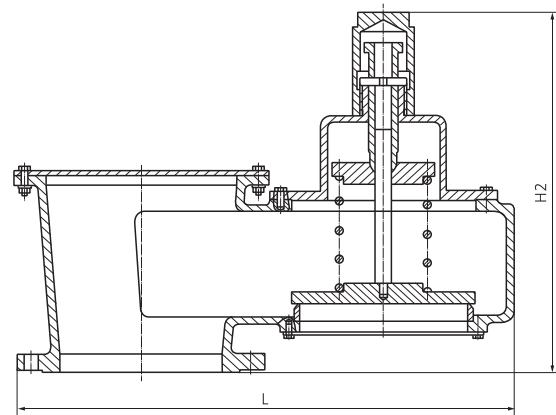
LF 8 1 3 6 - 0 6 - 1 3 3 - F O

记为: LF8136-06-133-FO

表示6"-8136型呼阀, 阀体材质为碳钢, 阀盘和阀座材质均为304SS, 膜片材质为FEP, 无夹套。  
Indicates a 6" type 8136 with carbon steel body, 304SS pallet and seat, FEP seat diaphragm and no jacket.



Type8140  
重力加载  
Weight Loaded



Type8143  
弹簧加载  
Spring Loaded

### 结构特点 Structure Features

- 1、口径从2"到12";  
Sizes 2" through 12";
- 2、可选择铝合金、碳钢、不锈钢和其它材质;  
Available in aluminum, carbon steel, stainless steel and other materials;
- 3、模块化结构;  
Modular construction;
- 4、FEP膜片能有效防止阀座与阀盘粘连; 也可依据工况要求选择其它软密封或硬密封结构;  
FEP diaphragms can effectively prevent seat and pallet from sticking; Select the seal structure according to the operation conditions;
- 5、进出口法兰按 ANSI B16.5 150LB RF (特殊情况可按用户要求)。  
The flanges of inlet and outlet are ANSI B16.5 150LB RF(it can be required by user).

### 各型号设定压力范围 Setting Pressure Range of all Types

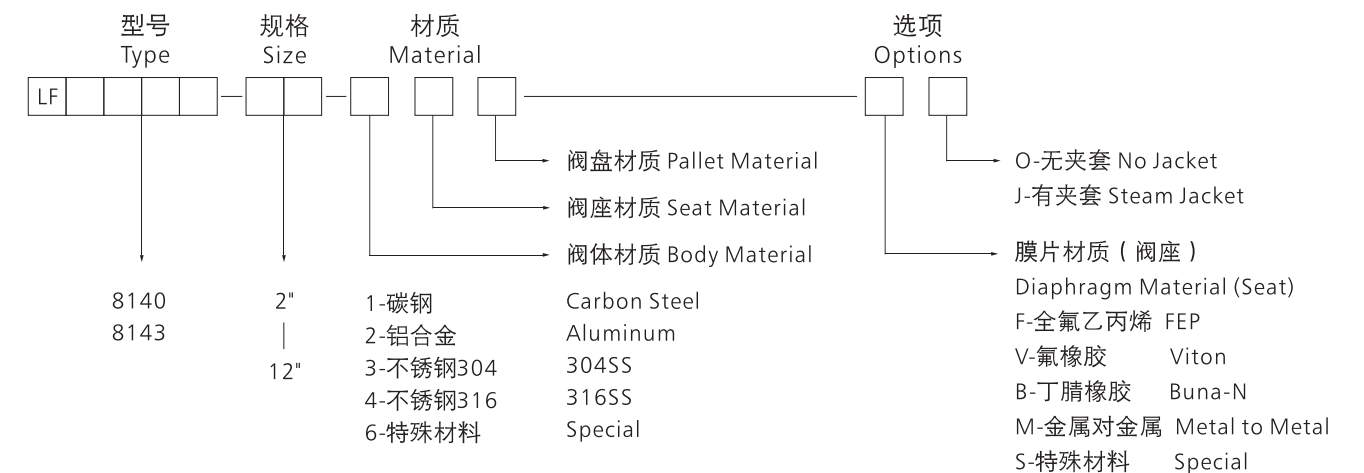
	TYPE8140	TYPE8143
真空(KPa) Vacuum	-0.2~-4.3	-4.3~-82

### 结构尺寸 Main Dimensions

公称通径(DN) Nominal Diameter		L 长 Length mm	W* 宽 Width mm	H1 高 Height mm	H2 高 Height mm
inch	mm				
2"	50	278	152	156	252
3"	80	381	190	190	311
4"	100	447	229	224	392
6"	150	565	285	280	430
8"	200	684	343	301	639
10"	250	782	380	345	650
12"	300	1004	483	435	747

\*W未在图中标出 \*W is not marked in figures

### 订货指南 Order Guide

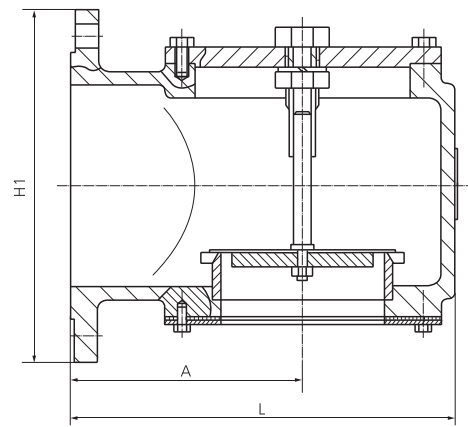


### 例 Example:

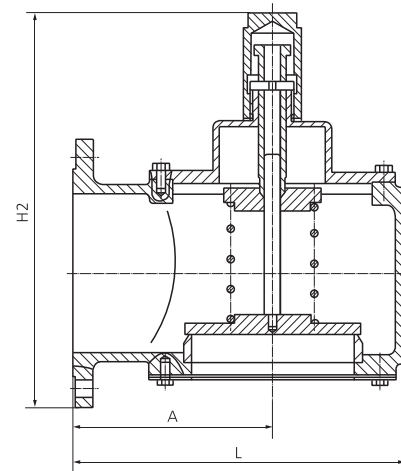
LF 8 1 4 0 - 0 6 - 1 3 3 - F O

记为: LF8140-06-133-FO

表示6"-8140型吸阀, 阀体材质为碳钢, 阀盘和阀座材质均为304SS, 膜片材质为FEP, 无夹套。  
Indicates a 6" type 8140 with carbon steel body, 304SS pallet and seat, FEP seat diaphragm and no jacket.



Type8145  
重力加载  
Weight Loaded



Type8147  
弹簧加载  
Spring Loaded

### 结构特点 Structure Features

- 1、口径从3"到14";  
Size through 3"to 14";
- 2、可选择铝合金、碳钢、不锈钢和其它材质;  
Available in aluminum, carbon steel, stainless steel and other materials;
- 3、模块化结构;  
Modular construction ;
- 4、FEP膜片能有效防止阀座与阀盘粘连; 也可依据工况要求选择其它软密封或硬密封结构;  
FEP diaphragms can effectively prevent seat and pallet from sticking; Select the seal structure according to the operation conditions;
- 5、进出口法兰按 ANSI B16.5 150LB Therefore (特殊情况可按用户要求)。  
The flanges of inlet and outlet are ANSI B16.5 150LB RF(I can be required by user).

### 各型号设定压力范围 Setting Pressure Range of all Types

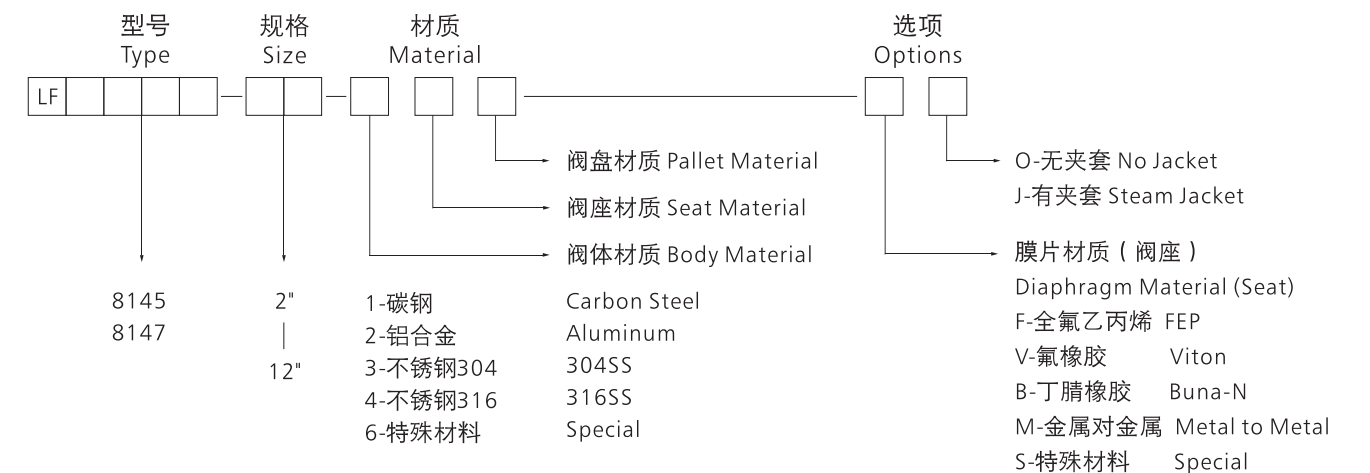
	TYPE8145	TYPE8147
真空(KPa) Vacuum	-0.2~-4.3	-4.3~-82

### 结构尺寸 Main Dimensions

公称通径(DN) Nominal Diameter		L 长 Length mm	W* 宽 Width mm	H1 高 Height mm	H2 高 Height mm	A mm
inch	mm					
3"	80	200	190	190	284	130
4"	100	245	220	220	338	152
6"	150	286	278	279	451	173
8"	200	357	340	340	498	214
10"	250	390	406	406	705	230
12"	300	522	483	483	809	310
14"	350	585	533	533	861	330

\*W未在图中标出 \*W is not marked in figures

### 订货指南 Order Guide

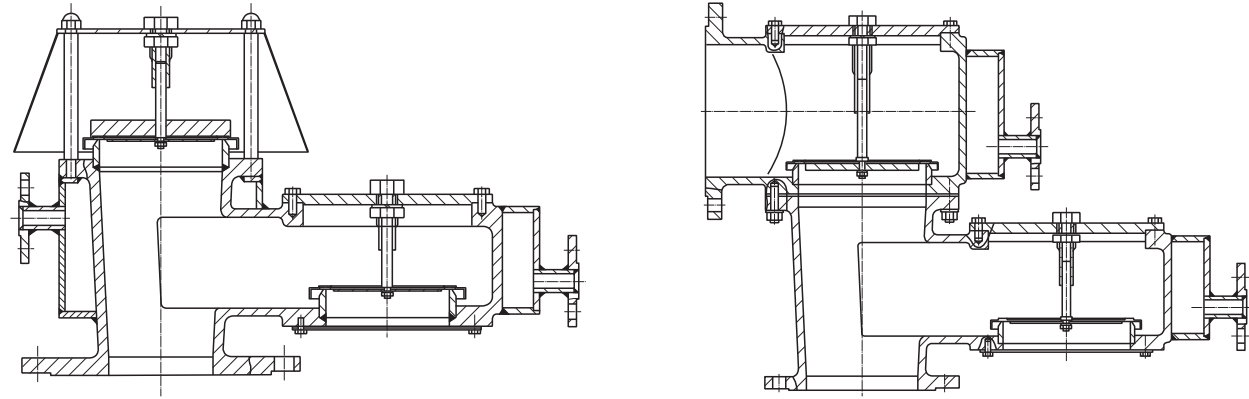


### 例 Example:

LF 8 1 4 5 - 0 6 - 1 3 3 - F O

记为: LF8145-06-133-FO

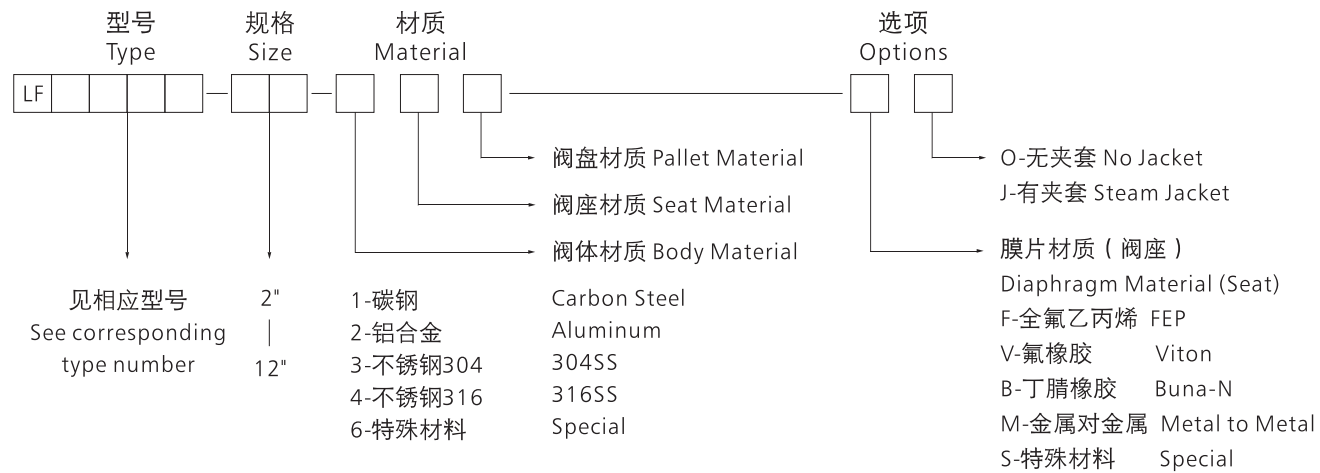
表示6"-8145型吸阀, 阀体材质为碳钢, 阀盘和阀座材质均为304SS, 膜片材质为FEP, 无夹套。  
Indicates a 6" type 8145 with carbon steel body, 304SS pallet and seat, FEP seat diaphragm and no jacket.



结构特点 Structure Features

- 1、防止冻结和介质堆积； Prevents freezing and product bulidup;
- 2、方便维修； Designed for easy maintenance;
- 3、适用于大多数系列。 Available for most series.

订货指南 Order Guide



例 Example:

LF 8 1 1 0 - 0 6 - 1 3 3 - F J

记为：LF8110-06-133-FJ

表示6"-8110型呼吸阀，阀体材质为碳钢，阀盘和阀座材质均为304SS，膜片材质为FEP，有夹套。  
Indicates a 6" type 8110 with carbon steel body, 304SS pallet and seat, FEP seat diaphragm and steam jacket.

结构特点 Structure Features

- 1、口径分为16", 20", 24";  
Size 16",20" and 24";
- 2、可选择碳钢、不锈钢和其它材质；  
Available in carbon steel, stainless steel and other materials;
- 3、进出口法兰按ANSI B16.5 150LB RF (特殊情况可按用户要求)。  
The flanges of inlet and outlet are ANSI B16.5 150Lb RF(It can be required by user).
- 4、开启止动块能够有效帮助阀座复位。  
Hinged with lift stop for positive reseating.

设定压力范围 Setting Pressure Range

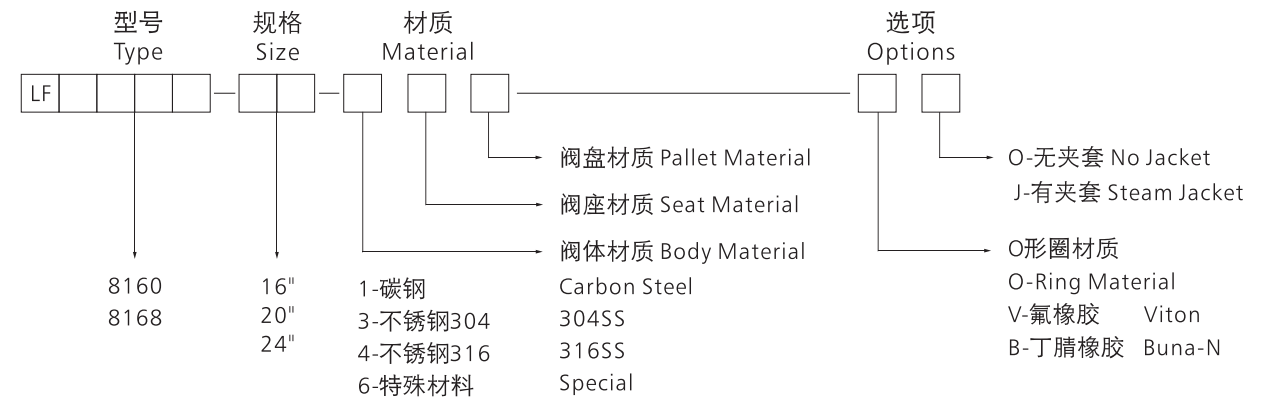
	TYPE8160	TYPE8168
压力(KPa) Pressure	0.6~3.4	0.6~3.4
真空(KPa) Vacuum	-0.2~-1.7	/

结构尺寸 Main Dimensions

公称通径(DN) Nominal Diameter		L 长 Length mm	W* 宽 width mm	H1 高 Height mm	H2 高 Height mm
inch	mm				
16"	400	637	597	350	270
20"	500	749	699	350	270
24"	600	873	813	350	270

\*W未在图中标出 \*W is not marked in figures

订货指南 Order Guide

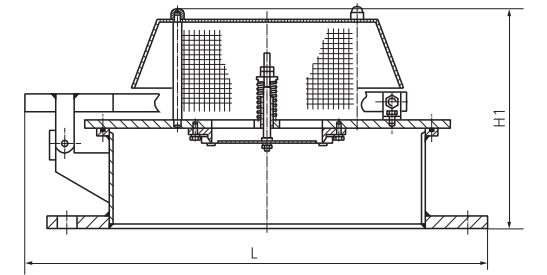


例 Example:

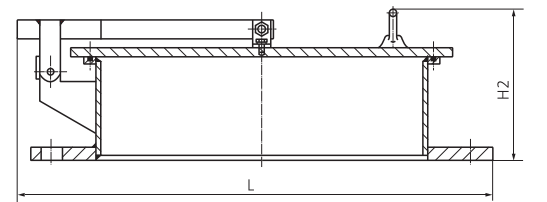
LF 8 1 6 0 - 1 6 - 1 4 4 - V O

记为：LF8160-16-144-VO

表示16"-8160型紧急泄放阀，阀体材质为碳钢，阀盘和阀座材质均为316SS，O形圈材质为氟橡胶，无夹套。  
Indicates a 16" type 8160 with carbon steel body, 316SS pallet and seat, viton O-ring and no jacket.



Type8160  
紧急压力/真空泄放  
Emergency Pressure/vacuum Relief



Type8168  
紧急压力泄放  
Emergency Pressure Relief

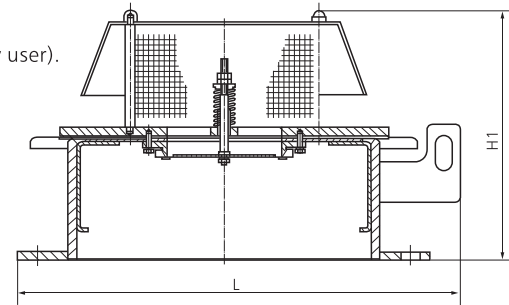
# LF Series 8170 Emergency Pressure/vacuum Relief Valve

## LF8170系列紧急泄放阀

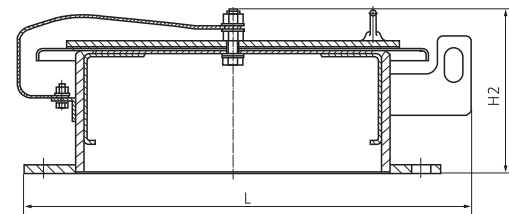


### 结构特点 Structure Features

- 1、口径分为16"、20"、24";  
Sizes 16", 20" and 24";
- 2、可选择碳钢、不锈钢和其他材质;  
Available in carbon steel, stainless steel and other materials;
- 3、进出口法兰按ANSI B16.5 150Lb Rf (特殊情况可按用户要求)。  
The flanges of inlet and outlet are ANSI B16.5 150Lb Rf (It can be required by user).
- 4、导向套能够防止阀帽移开, 并提供导向。  
Guide sleeve can provides removable stop and restrict the lift of the cover.



Type8170  
紧急压力/真空泄放  
Emergency Pressure/vacuum Relier



Type8178  
紧急压力泄放  
Emergency Pressure Relief

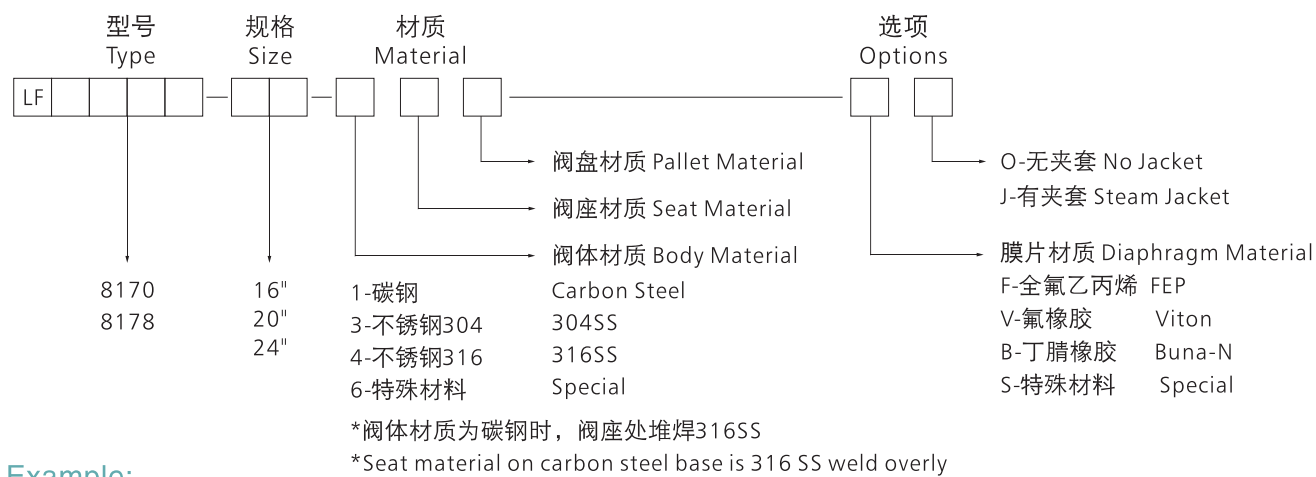
### 设定压力范围 Setting Pressure Range

	TYPE8170	TYPE8178
压力(KPa) Pressure	0.6~6.9	0.6~6.9
真空(KPa) Vacuum	-0.2~-1.7	/

### 结构尺寸 Main Dimensions

公称通径(DN) Nominal Diameter		L 长 Length mm	H1 高 Height mm	H2 高 Height mm
inch	mm			
16"	400	597	350	270
20"	500	765	350	270
24"	600	845	350	270

### 订货指南 Order Guide



### 例 Example:

LF 8 1 7 0 - 1 6 - 1 4 4 - F O

记为: LF8170-16-144-FO

表示16"-8170型紧急泄放阀, 阀体材质为碳钢, 阀盘和阀座材质均为316SS, 膜片材质为FEP, 无夹套。  
Indicates a 16" type 8170 with carbon steel body, 316SS pallet and seat, FEP seat diaphragm and no jacket.

# LF Series 8180 Emergency Pressure Relief Valve

## LF8180 系列紧急泄放阀



### 结构特点 Structure Features

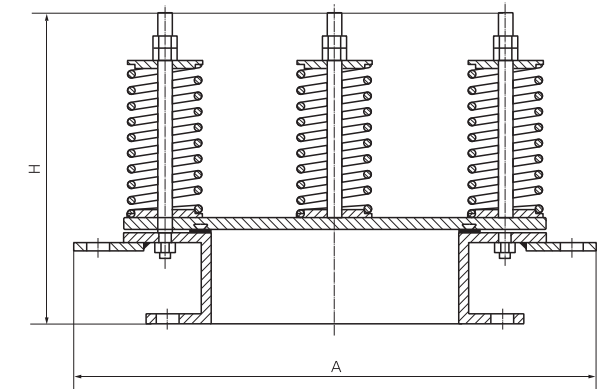
- 1、口径分为16"、20"、24";  
Sizes 16", 20", 24";
- 2、可选择碳钢、不锈钢和其它材质;  
Available in carbon steel, stainless steel and other materials;
- 3、进出口法兰按 ANSI B16.5 150LB Rf (特殊情况可按用户要求)。  
The flanges of inlet and outlet are ANSI B16.5 150LB Rf ( It can be required by user ) .

### 设定压力范围 Setting Pressure Range

	TYPE8180
压力(KPa) Pressure	6.9~103.4

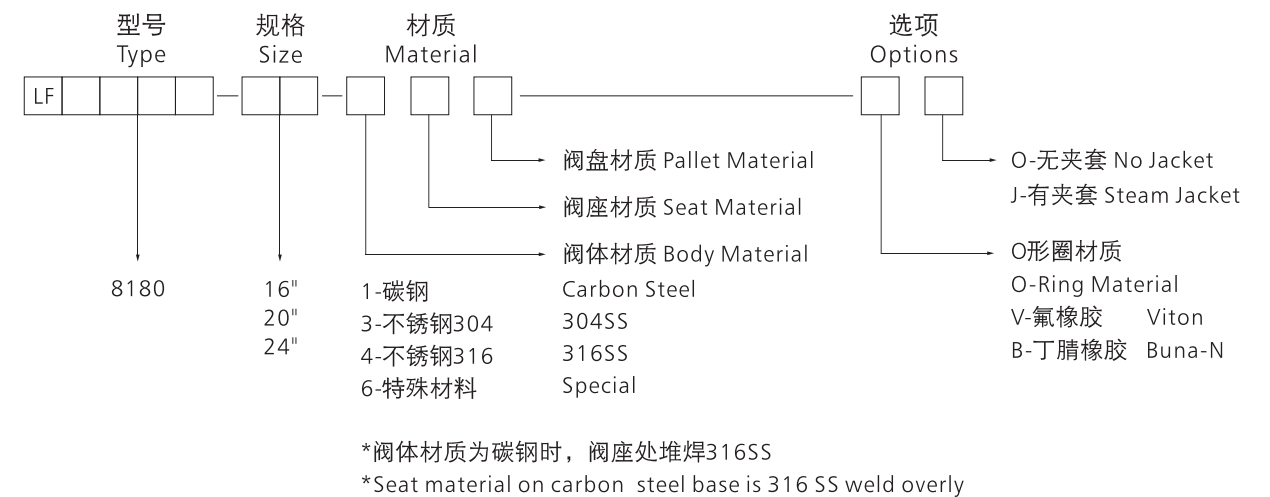
### 结构尺寸 Main Dimensions

公称通径(DN) Nominal Diameter		A 直径 Diameter mm	H 高 Height mm
inch	mm		
16"	400	853	476
20"	500	933	584
24"	600	1035	686



Type8180  
紧急压力泄放  
Emergency Pressure Relief

### 订货指南 Order Guide

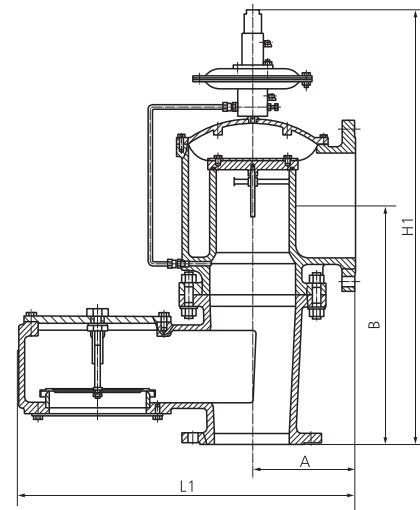


### 例 Example:

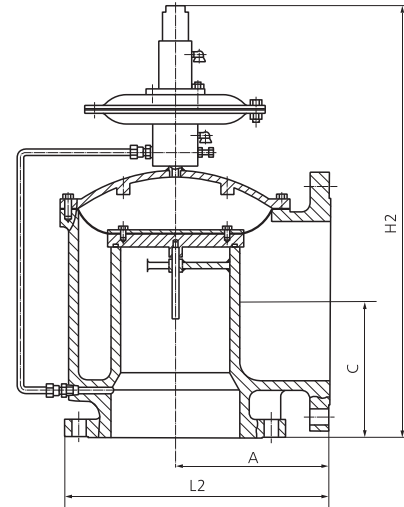
LF 8 1 8 0 - 1 6 - 1 4 4 - V O

记为: LF8180-16-144-VO

表示16"-8180型紧急泄放阀, 阀体材质为碳钢, 阀盘和阀座材质均为316SS, O形圈材质为氟橡胶, 无夹套。  
Indicates a 16" type 8180 with carbon steel body, 316SS pallet and seat, viton O-ring and no jacket.



Type 9800  
压力/真空泄放  
Pressure / Vacuum Relief



Type 9805  
压力泄放  
Pressure Relief

### 订货指南 Order Guide

- 1、口径从2"到12";  
Size through 2" to 12";
- 2、可选择铝合金、碳钢、不锈钢和其它材质;  
Available in aluminum, carbon steel, stainless steel and other materials;
- 3、超压低于10%即能达到全排量;  
Full open at less than 10% overpressure;
- 4、达到设定压力时,主阀仍保持密封;  
Main valve remains tight to set pressure;
- 5、软密封阀座机构能够降低产品消耗,减少磨损,从而提高可靠性。  
Soft seats seal tight to conserve product and minimize valve wear which improves reliability;
- 6、进出口法兰按ANSI B16.5 150LB Rf (特殊情况下可按用户要求)  
The flanges of inlet and outlet are ANSI B16.5 150LB RF (It can be required by user).

### 各型号设定压力范围 Setting Pressure Range of all Types

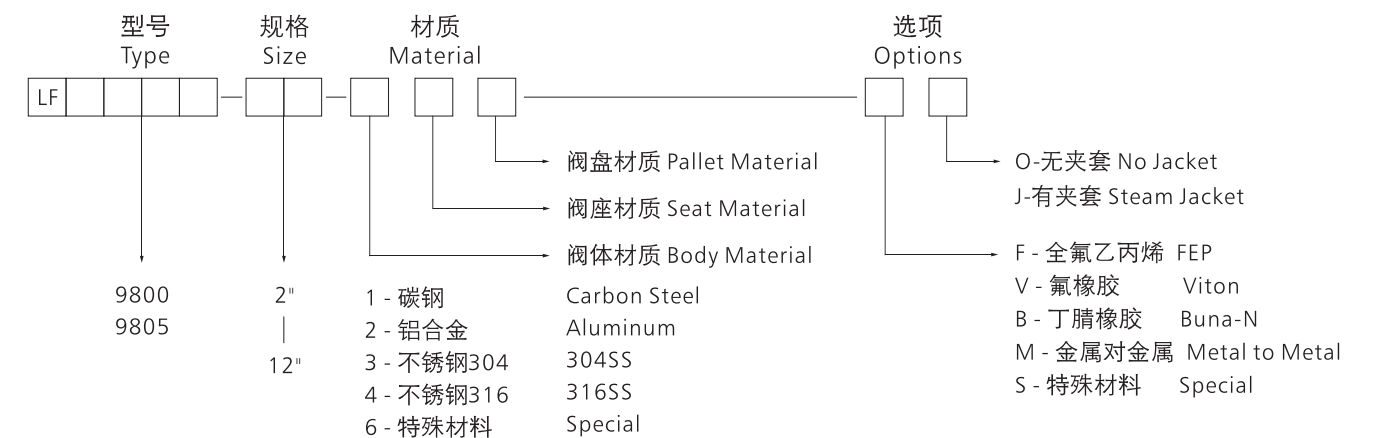
	TYPE 9800	TYPE 9805
压力(KPa) Pressure	0.5~103.4	0.5~103.4
真空(KPa) Vacuum	-0.2~-4.3	/

### 结构尺寸 Main Dimensions

公称口径(DN) Nominal Diameter 进口x出口 InletxOutlet		L1 长 Length mm	L2 长 Length mm	W* 宽 Width mm	H1 高 Height mm	H2 高 Height mm	A mm	B mm	C mm
inch	mm								
2"x3"	50x80	317	185	280	338	525	115	245	94
3"x4"	80x100	424	235	280	761	581	138	291	112
4"x6"	100x150	513	292	280	869	655	179	362	148
6"x8"	150x200	637	368	343	1022	752	214	477	202
8"x10"	200x250	753	418	406	1005	699	240	505	214
10"x12"	250x300	860	501	483	1080	745	283	578	246
12"x14"	300x350	998	557	533	1140	793	321	612	280

\*W未在图中标出 \*W is not marked in figures

### 订货指南 Order Guide

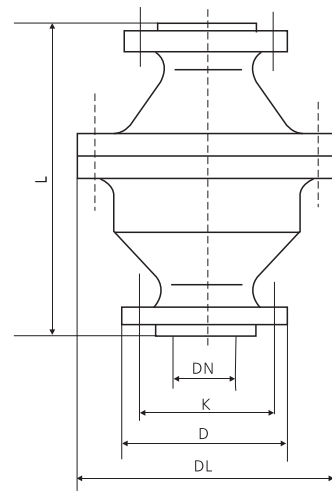


### 例 Example:

LF 9 8 0 0 - 0 6 - 1 3 3 - F O

记为: LF9800-06-133-FO

表示6"-9800型先导式呼吸阀,阀体材质为碳钢,阀盘和阀座材质均为304SS,膜片材质为FEP,无夹套。  
Indicates a 6" type 9800 with carbon steel body, 304SS pallet and seat, FEP seat diaphragm and no jacket.



### 结构特点 Structure Features

- 1、适用储存闪点低于28℃的甲类油品和闪点低于60℃乙类油品，如汽油、甲苯、煤油、原油等立式储油罐上；
  - 2、可与相应规格的呼吸阀配套使用；
  - 3、阻火元件由不锈钢波纹钢带卷制而成；
  - 4、操作压力≤1.0Mpa；
  - 5、进出口法兰按ANSI B16.5 150Lb RF（特殊情况可按用户要求）。
1. Suitable for vertical storage tanks storing class A oils its flash point below 28℃ and class B oils below 60℃, including gasoline, toluene, kerosene, crude oil and others;
  2. Applied with respective breather valves;
  3. Resistant elements made from stainless steel corrugated steel bands;
  4. Operating pressure ≤1.0Mpa;
  5. Inlet & outlet flange as per ANSI B16.5 150Lb RF (customizes as per specific requirements of clients).

### 性能 Performance

- 1、阻爆性能合格，连续13次阻爆性能试验每次都能阻火。
  - 2、耐烧性能合格，耐烧试验1小时无回火现象。
  - 3、壳体水压试验合格。
1. Certified explosion-resistant performance, can resist fire each time during the test for a successive 13 times.
  2. Qualified flame-resistant performance, no tempering is indicated for the test within 1 hour.
  3. Qualified for water pressure test of case.

### 适用范围 Applicable Range

阻火器适用于管道、闪点低于28℃的甲类油品、氢氧化物类和闪点低于60℃的煤油、柴油、甲苯原油等。  
Arrestor is applied for class A oils, kind of oxyhydrogen liquefaction, as well as kerosene, diesel oil, Toluene oil and etc. With a flammability point below 60℃.

### 概述 Overview

LFZH II 型阻爆燃型管道阻火器系新型可燃气体管道阻火器，属更新换代的新产品。其性能完全符合GB13347-92《石油气体管道阻火器阻火性能和试验方法》的规定。阻火器结构合理，阻火层采用不锈钢材料制造，耐腐蚀易于清洗。壳体采用不锈钢，碳钢及铸钢多种材料，可满足各种不同工艺管道的需要。

LFZE II Type Explosion-resistant Pipeline Arrestor is an upgraded new product applicable for combustible gas pipeline. This arrestor is perfectly in line with the regulations stipulated in GB13347-97 Fireproof Performance and Test Method for Arrestor of Petroleum Gas Pipeline. The arrestor, with reasonable construction and made of stainless steel, is resistant in corrosion and easily cleaned. The case, made up from stainless steel, carbon steel and cast steel, can meet all needs of different technological pipelines



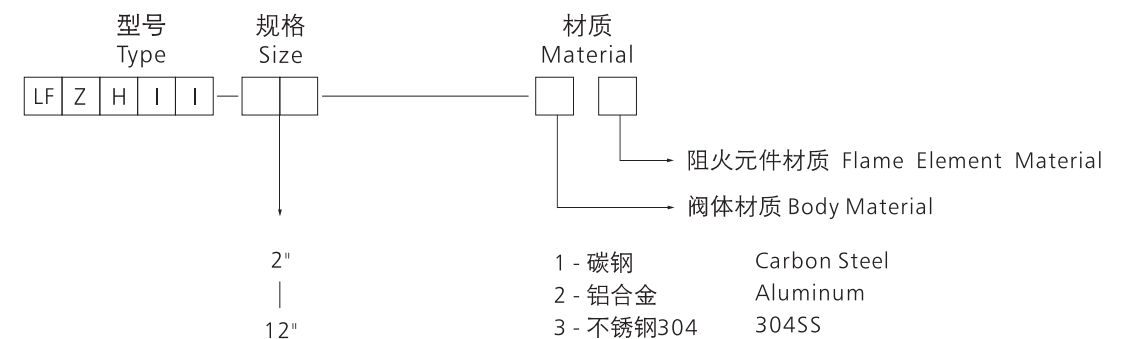
### 结构尺寸 Main Dimensions

型号 Type	规格 Size	Class (Lb)	外形尺寸 Dimensions(mm)				螺栓 Bolts	
			K	D	DL	L	数量 quantity	螺纹 Threaded
LFZH II -02	2"	150	120.5	152	245	240	4	M16
LFZH II -03	3"		152.5	190	280	250	4	M16
LFZH II -04	4"		190.5	229	335	260	8	M16
LFZH II -06	6"		241.5	279	460	360	8	M20
LFZH II -08	8"		298.5	343	520	420	8	M20
LFZH II -10	10"		362	406	580	430	12	M24
LFZH II -12	12"		432	483	705	450	12	M24

### 适用范围 Scope of application

- 1、输送可燃性气体的管道上。
  - 2、火炬系统。
  - 3、油气回收系统。
  - 4、加热炉燃料气的管网上。
  - 5、气体净化通化系统。
  - 6、气体分析系统。
  - 7、煤矿瓦斯排放系统。
1. A pipeline to conveying combustible gas.
  2. Flare system
  3. Oil and gas recycle system
  4. Heat furnace fuel gas pipeline.
  5. Gas purifying and ventilation system.
  6. Gas analyzing system.
  7. Gas discharging system in coal mine.

### 订货指南 Order Guide



### 例 Example:

LF Z H I I - 0 6 - 1 3

记为：LFZHII-06-13

表示6"-LFZHII 型阻火器，阀体材质为碳钢，阻火元件材质均为304SS。  
Indicates a 6" type LFZHII with carbon steel body ,304SS flame element.